

CMB-575

Mini Barebone system
Intel High Performance Platform
Installation Guide
Edition 1.0
2009/11/13



Document Content:

- Packing List
- Product Specification
- Hardware Installation

Packing List:

CMB-575 Chassis x 1
(Including LE-575 Motherboard)

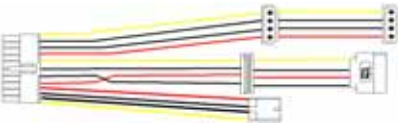


DSPD-080-12A 80W AC-DC Adapter x 1



Power Cord x 1

ATAPI Power Cord x1



SATA Cable x1 (12CM)



DVI module with DVI Cable x 1(Only LE-575XD)

Serial port Cable x 3

USB Cable x 1

Audio Cable x1

Printer Cable x 1

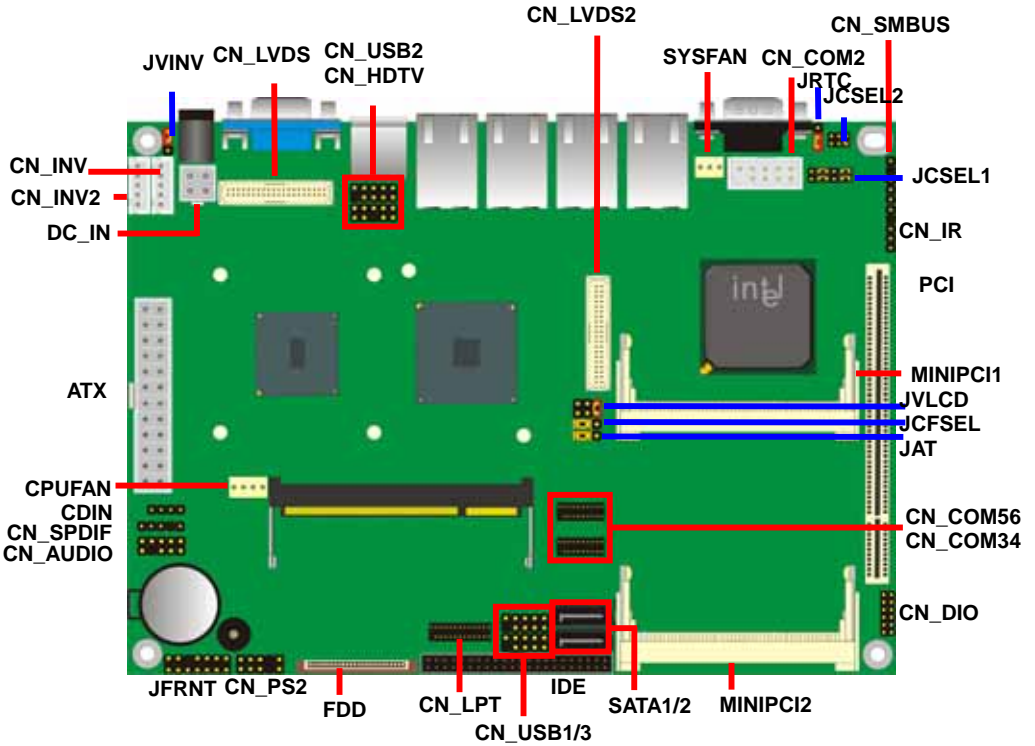
PS/2 Keyboard & Mouse Cable x 1

CD Driver x1

CMB-575

Hardware Installation:

Motherboard placement



For the Components placement, it is available for LE-575

— For Connector

— For Jumper

CMB-575X



CMB-575XD

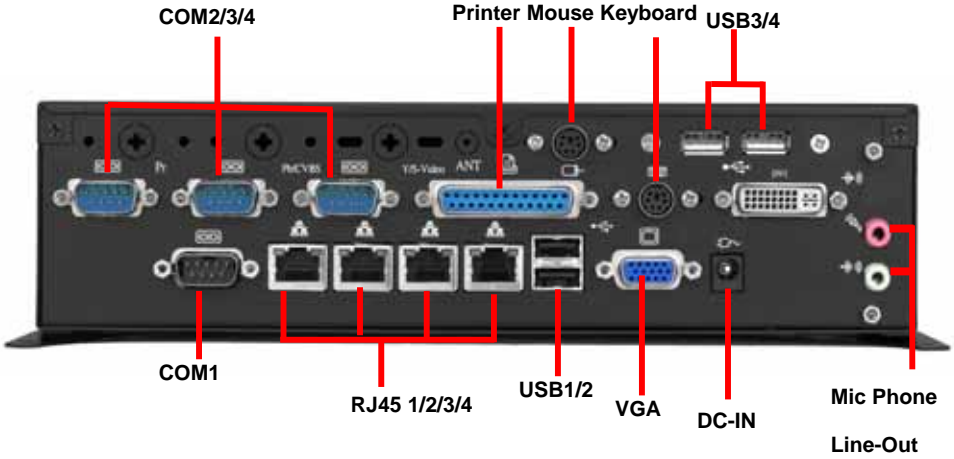


I/O panel:

Front:



Rear:



▪ **Chassis Setup procedure:**

1. Screw off as indication of the picture below.

Rear:



Top:



2. Push the Chassis shield towards the back then open it.



3. Screw off as indication of the picture below.



4. Insert the DDRII SO-DIMM module into the socket at 45 degree.
Press down the module with a click sound.



5. Put on HDD driver into HDD holder then turn the HDD drive screws to tighten.(If you don't have HDD drive please direct to step 6.)



6. Screw on as indication of the picture below Turn the screws.

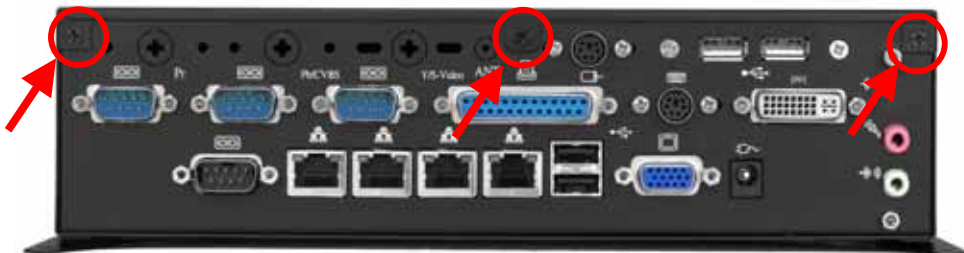


7. Push the Chassis shield towards the back then open it.



8. Screw on as indication of the picture below.

Rear:



Top:

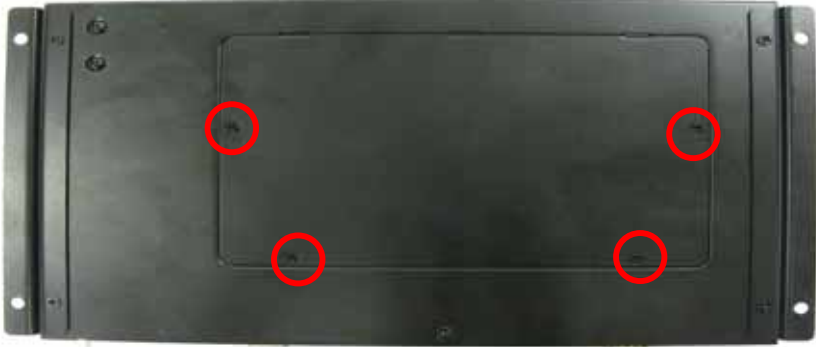


9. Finish.



▪ **CF card Setup Procedure:**

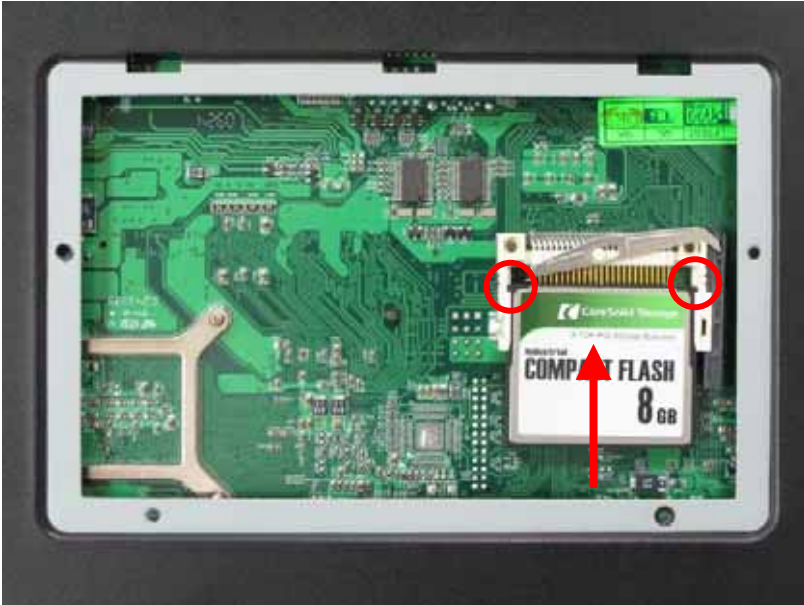
1. **Screw off as indication of the picture below.**



2. **Open it and you shall see CF card socket. As shown in the illustration, face the label side toward you and insert the end with the small holes into the Motherboard.**



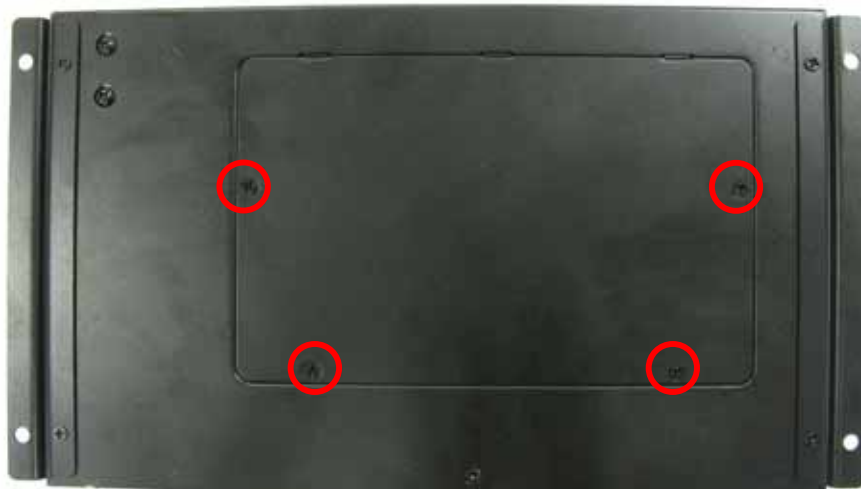
3. Follow the foolproof design then insert the CF card.



4. Check connected well



5. Close it shield and turn screw to tighten.



Addendum Notice

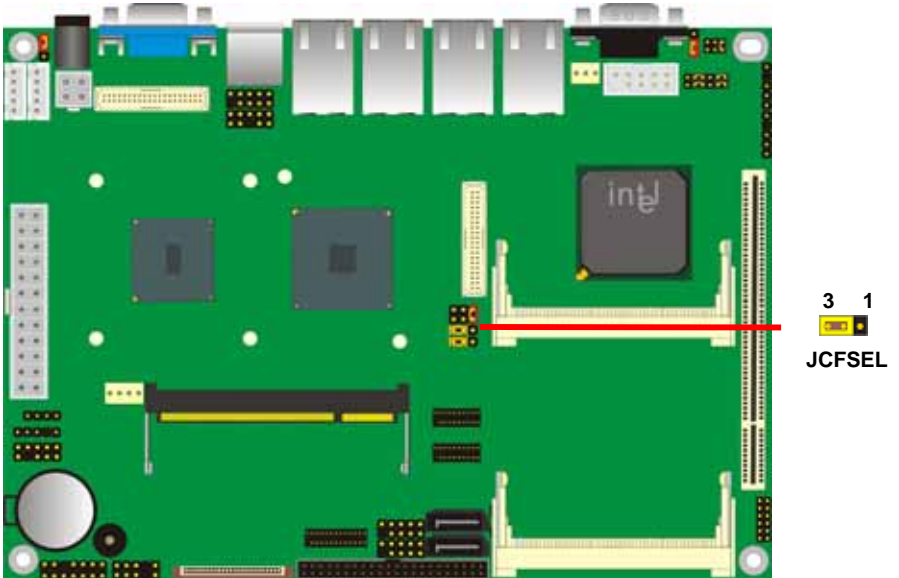
Please leave the **JCFSEL** as 1-2 for Master mode, and set the IDE2 HDD as Slave mode if you need to use the CF card.

Jumper: **JCFSEL**

Type: onboard 3-pin header

JCFSEL	Mode
1-2	Master
2-3	Slave

Default setting



Contact Information

Any advice or comment about our products and service, or anything we can help you please don't hesitate to contact with us. We will do our best to support you for your products, projects and business

Taiwan Commate Computer Inc.

Address	19F, No. 94, Sec. 1, Shin Tai Wu Rd., Shi Chih Taipei Hsien, Taiwan
TEL	+886-2-26963909
FAX	+886-2-26963911
Website	http://www.commell.com.tw
E-Mail	info@commell.com.tw (General Information) tech@commell.com.tw (Technical Support)

Commell is a brand name of Taiwan Commate Computer Inc.