

CMB-573BIR

Mini Barebone system
Intel High Performance Platform
Installation Guide

Edition 1.0

2010/4/13



Document Content:

- Packing List
- Product Specification
- Hardware Installation

Packing List:

CMB-573BIR Chassis x 1
(Including MB-6090 Motherboard)



DSPD-080-12A 80W AC-DC Adapter x 1



Power Cord x 1

CPU Cooler x 1

ATAPI Power Cord x1



SATA Cable x 1

ATX to SATA Power Cable x 1

Wall-mount bracket x 1

CD Driver x1

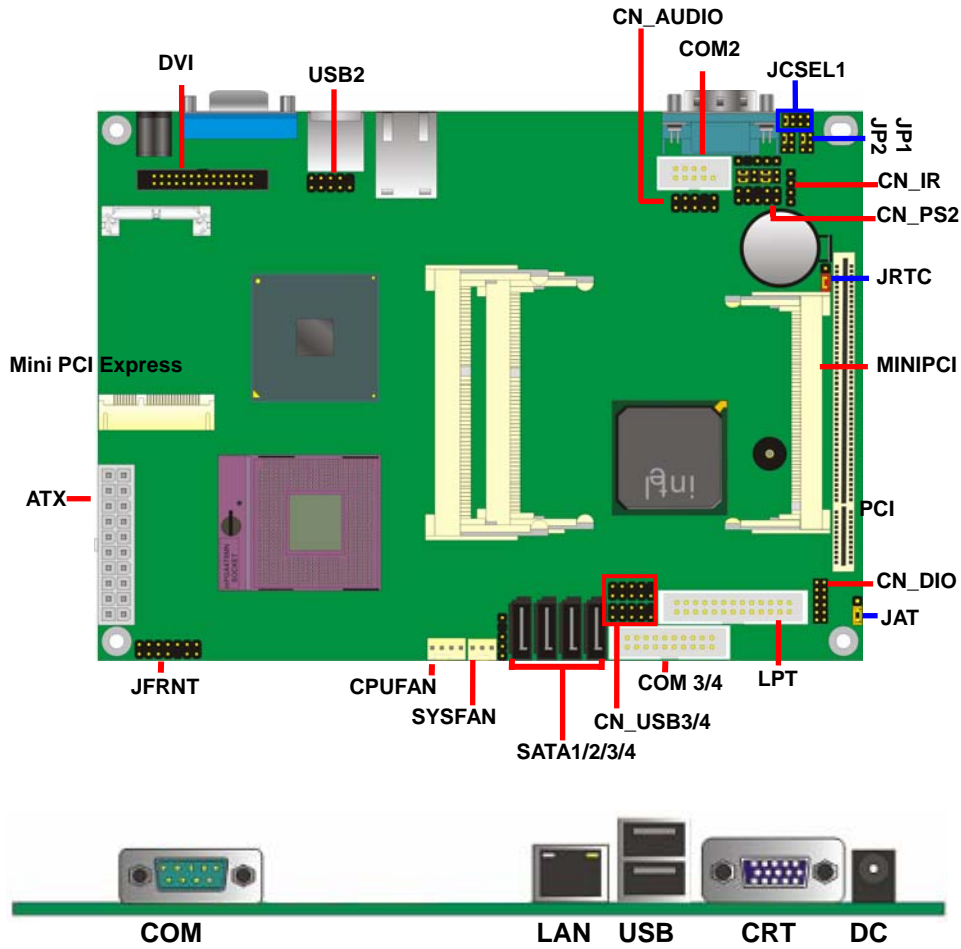
DVI Adapter x1

DVI Cable x1



CMB-573BIR

Hardware Installation: <Motherboard placement>



For the Components placement, it is available for IT-6092

— For Connector — For Jumper

<Jumper Location & Reference>

| Jumper | Function |
|------------------|---|
| JRTC | CMOS Operating/Clear Setting |
| JAT | Power mode select |
| JP1 | COM1 signal mode switch (For Pin-1 & Pin-9) |
| JP2 | COM2 signal mode switch (For Pin-1 & Pin-9) |
| JCSEL1 JCSEL2 | CN_COM2 RS-232 RS422 RS485 Setting / CN_IR IrDA Setting |

Jumper: JRTC

Type: Onboard 3-pin jump



| JRTC | Mode |
|------|------------------|
| 1-2 | Clear CMOS |
| 2-3 | Normal Operation |

Default setting: 2-3

Jumper: JAT

Type: Onboard 3-pin jump



| Power Mode | Jumper |
|------------|--------|
| AT Mode | 1-2 |
| ATX Mode | 2-3 |

Default setting: 2-3

Jumper: JP1 (COM 1) / JP2 (COM 1)

Type: Onboard 3x2-pin jump



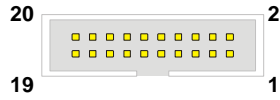
| Power Mode | Jumper |
|----------------------|--------|
| Standard COM Port | 4-6 |
| Pin1 with 5V signal | 1-3 |
| Pin9 with 12V signal | 2-4 |

Default setting: 4-6

< COM3/4 Port >

Connector: **COM3/4**

Type: 20Pin box header



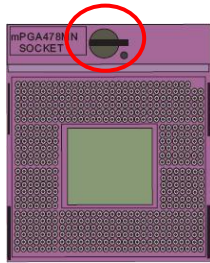
| Pin | Description | Pin | Description |
|-----|-------------|-----|-------------|
| 1 | HS_DCD1 | 2 | HS_RXD1 |
| 3 | HS_TXD1 | 4 | HS_DTR1 |
| 5 | Ground | 6 | HS_DSR1 |
| 7 | HS_RTS1 | 8 | HS_CTS1 |
| 9 | HS_RI1 | 10 | N/C |
| 11 | HS_DCD2 | 12 | HS_RXD2 |
| 13 | HS_TXD2 | 14 | HS_DTR2 |
| 15 | Ground | 16 | HS_DSR2 |
| 17 | HS_RTS2 | 18 | HS_CTS2 |
| 19 | HS_RI2 | 20 | N/C |

<Setting RS-232, RS-422, RS-485 & IrDA >

| Function | JCSEL1 | JCSEL2 |
|----------|--------|--------|
| IrDA | | |
| RS-422 | | |
| RS-485 | | |
| RS-232 | | |

<CPU and Memory Setup>

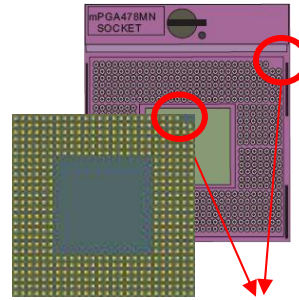
The board comes with the socket 478 for Intel Core 2 Duo **socket-P** processor only it supports new generation with 667/800/1066 MHz of front side bus. Please follow the instruction to install the CPU properly.



1. Use the flat-type screw drive to unlock the CPU socket



Unlock way

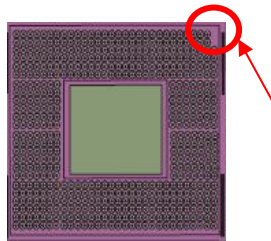


Check point



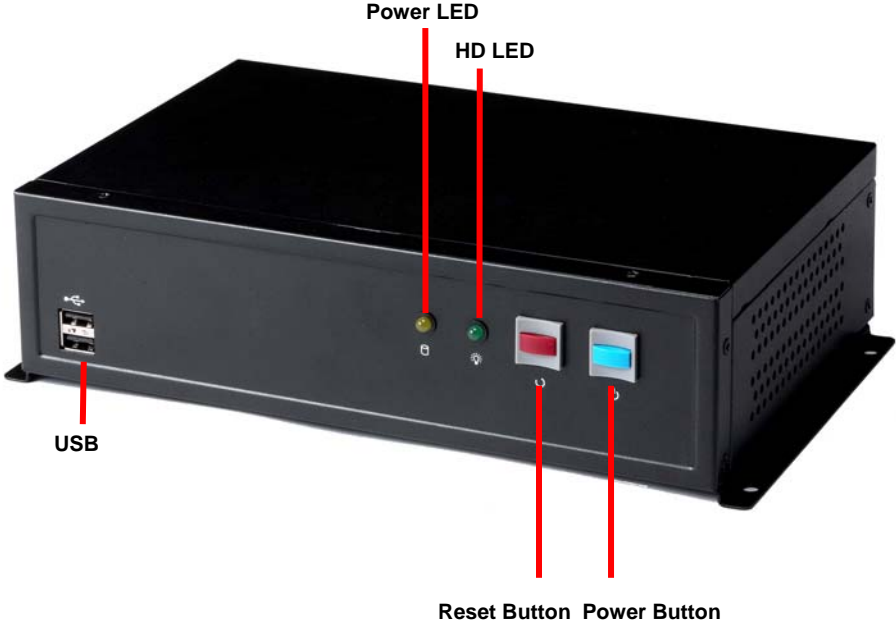
3. Lock the socket

4. Socket P has 478 pins, but is not pin-compatible with Socket M CPU.

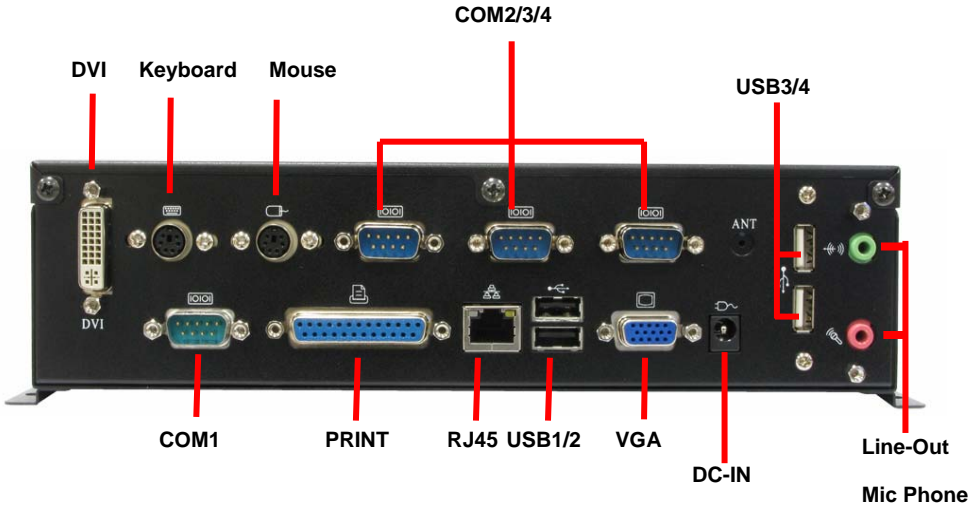


I/O panel:

Front:



Rear panel:



Chassis Setup procedure:

- 1. Screw off as indication of the picture below.

Rear:



Top:



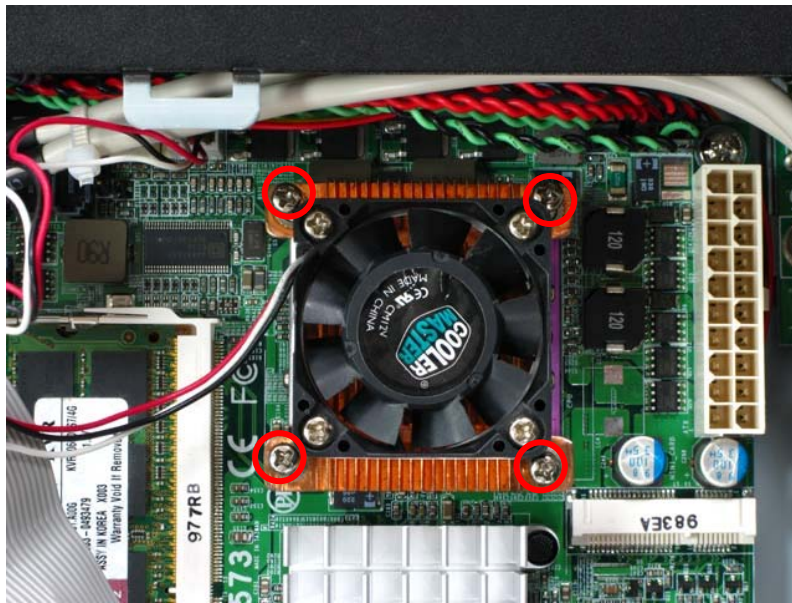
2. Push the Chassis shield towards the back then open it.



3. Screw off as indication of the picture below.

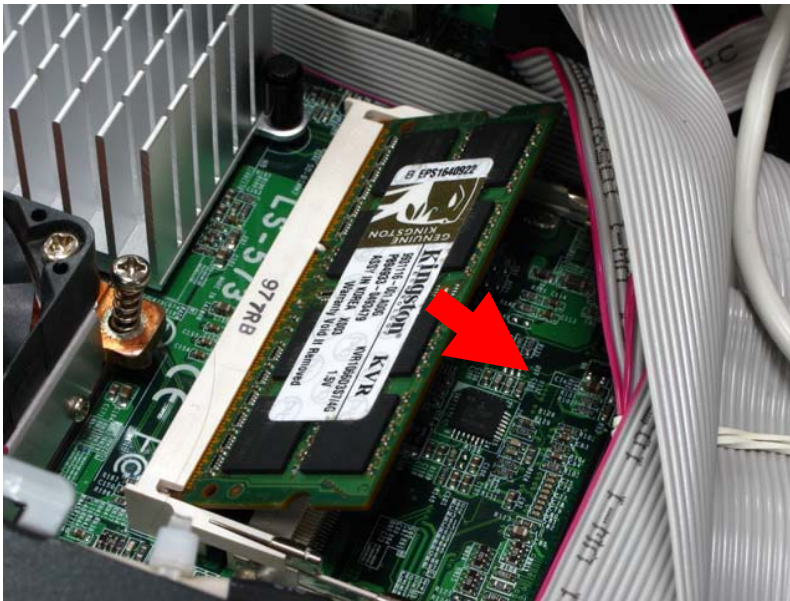


4. Turn the CPU cooler screws and then refer the motherboard manual page.17 to install the CPU.(After installing CPU, please turn the CPU FAN screws to tighten.)



5. Insert the DDRII SO-DIMM module into the socket at 45 degree.

Press down the module with a click sound.



6. Put on HDD driver into HDD holder then turn the HDD drive screws to tighten.



7. Screw on as indication of the picture below Turn the screws.



8. Push the Chassis shield towards the back then open it.



9. Screw on as indication of the picture below.

Rear:



Top:



10. Finish.



Contact Information

Any advice or comment about our products and service, or anything we can help you please don't hesitate to contact with us. We will do our best to support you for your products, projects and business

Taiwan Commate Computer Inc.

| | |
|----------|--|
| Address | 19F, No. 94, Sec. 1, Xintai 5th Rd., Xizhi Dist New Taipei City, Taiwan |
| TEL | +886-2-26963909 |
| FAX | +886-2-26963911 |
| Website | http://www.commell.com.tw |
| E-Mail | info@commell.com.tw (General Information) tech@commell.com.tw (Technical Support) |
| Facebook | https://www.facebook.com/pages/Taiwan-Commate-Computer-Inc/547993955271899 |
| Twitter | https://twitter.com/Taiwan_Commamate |

Commell is a brand name of Taiwan Commate Computer Inc.