

CMB-170

Mini Barebone system
Intel High Performance Platform

User's Manual

Installation Guide

Edition 1.1

2012/01/09



Document Content:

- Packing List
- Product Specification
- Hardware Installation



Packing List:

ACMB-170C Chassis x 1

(Including LP-170 Motherboard)

DSPD-080-12 80W AC-DC Adapter x 1



Power Code x 1

DC_IN Power Cable x 1

SATA Cable x 1

USB Cable x 1

Audio Cable x 1

PS/2 Keyboard & Mouse Cable x 1

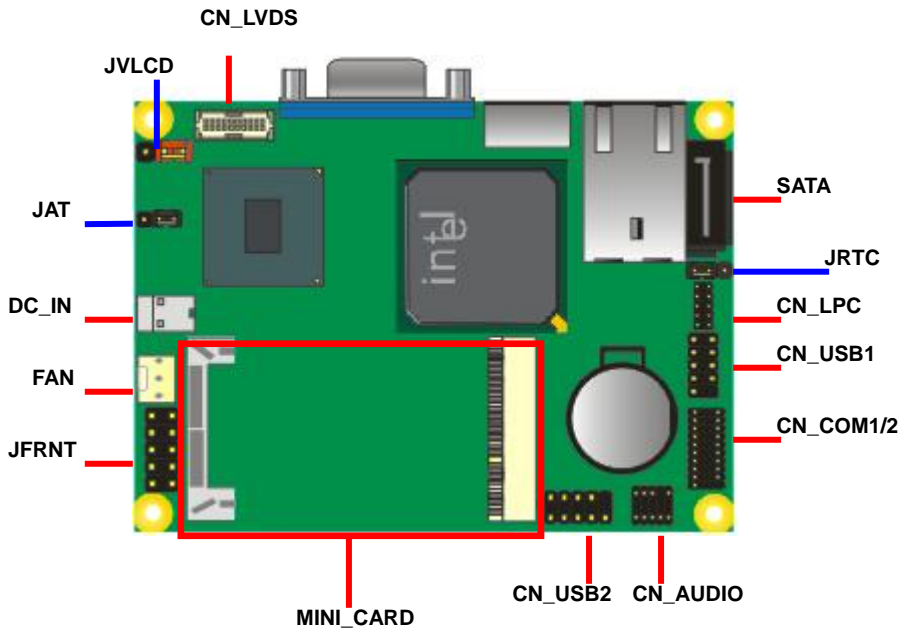
Dual COM PORT cable x 1

DC_OUT Power Cable x 1

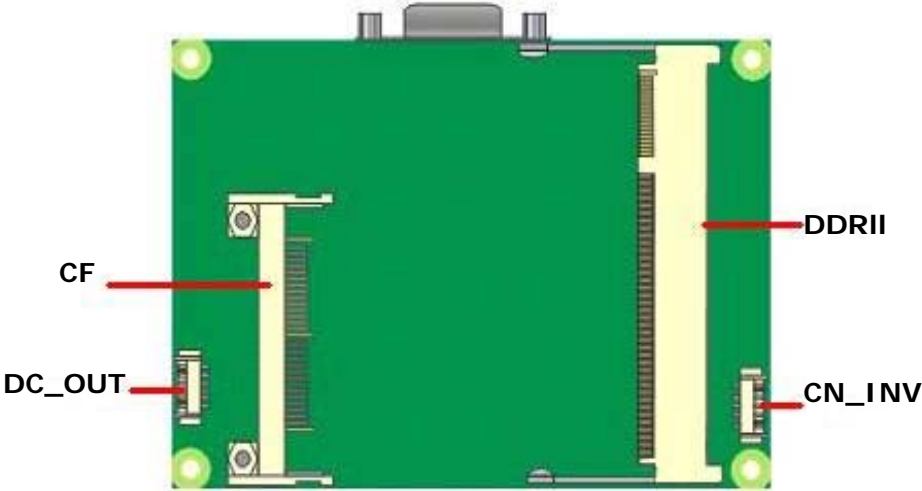
CMB-170

Hardware Installation:

Motherboard placement

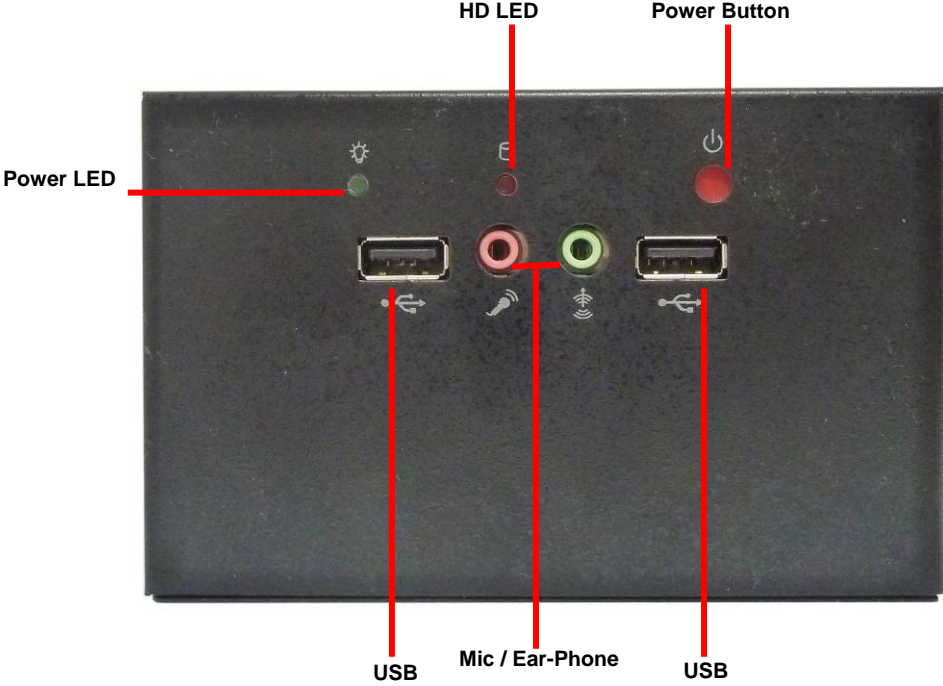


— Jumper — Connector

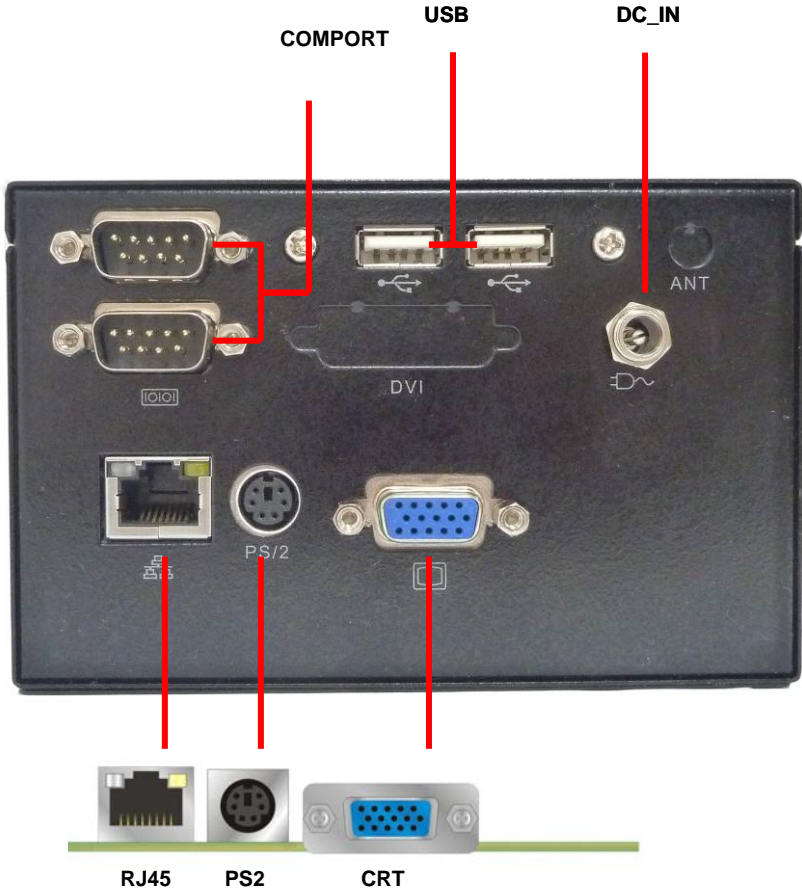


I/O panel:

Front:



Rear:



Power input : DSPD-080-12 80W AC-DC Adapter Input.

Chassis Setup procedure:

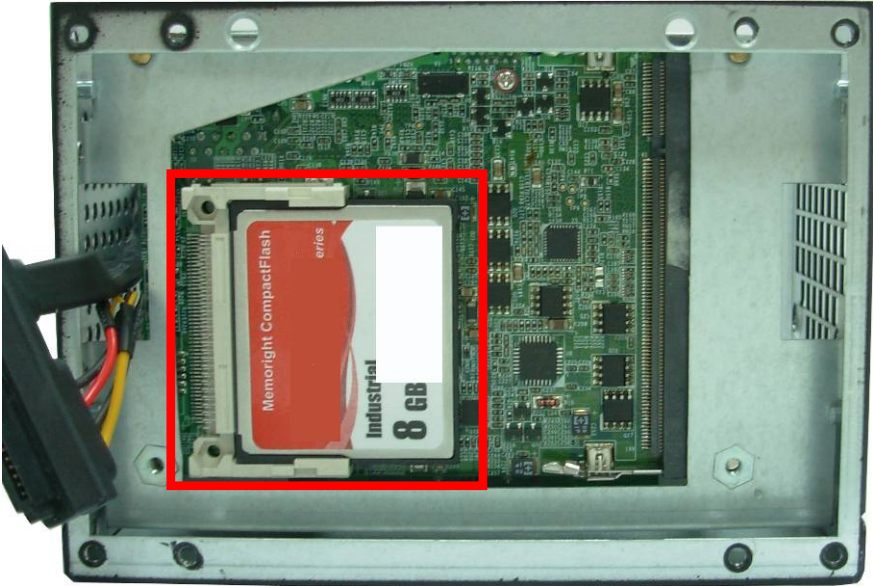
1 . Turn the screws and refer the picture A.

(A)



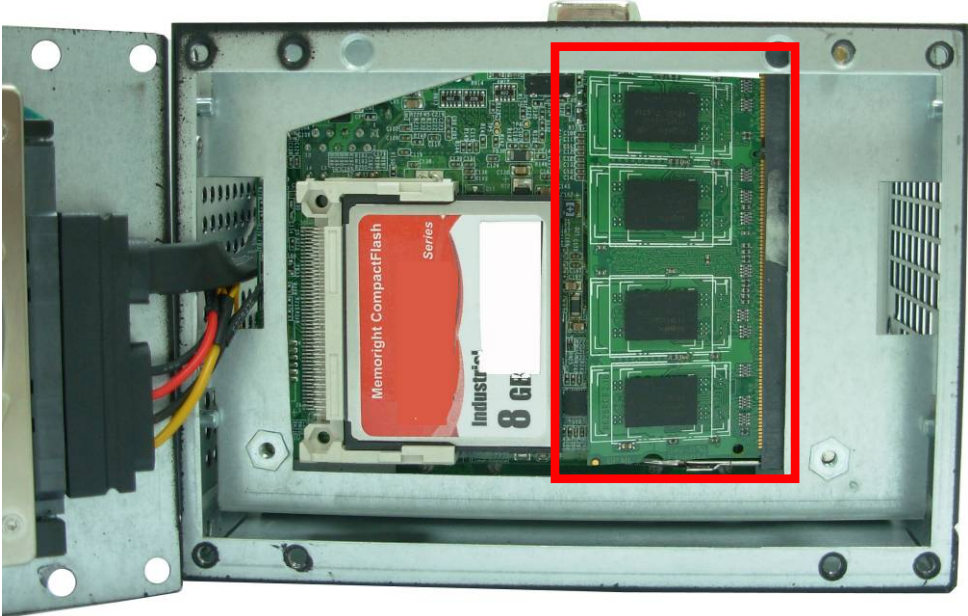
2. CF card Setup Procedure:

Follow the Idiot-proof design then insert the CF card, Check connected well. (If you don't have HD drive please direct to step 4)

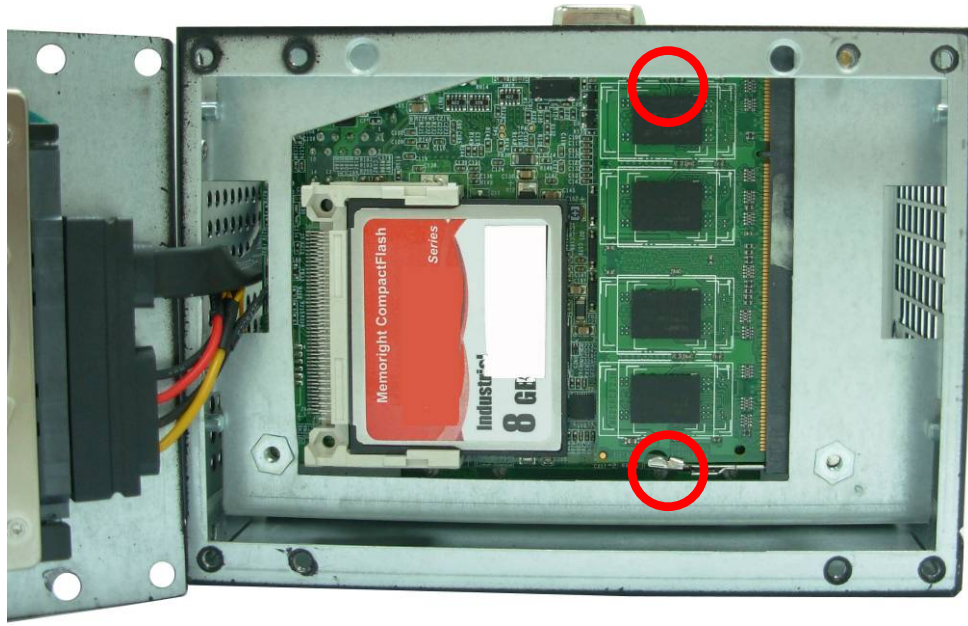


3. Memory module Setup Procedure:

(A) Open the Dimm holder then check the pin number to match the socket side well before installing memory module.



(B) Press down the memory module then check dimm holder hook well.



4. HD driver Setup Procedure:

(A) Put on HD driver into HD holder then turn the HD drive screws to tighten. (If you don't have HD drive please direct to step 2)



(B)Connect SATA cable and DC_OUT Power cable from motherboard to the HD drive.



5. Turn the chassis shield screws with the hanging holders to tighten well.





Contact Information

Any advice or comment about our products and service, or anything we can help you please don't hesitate to contact with us. We will do our best to support you for your products, projects and business

Taiwan Commate Computer Inc.

Address	19F, No. 94, Sec. 1, Xintai 5th Rd., Xizhi Dist New Taipei City, Taiwan
TEL	+886-2-26963909
FAX	+886-2-26963911
Website	http://www.commell.com.tw
E-Mail	info@commell.com.tw (General Information) tech@commell.com.tw (Technical Support)
Facebook	https://www.facebook.com/pages/Taiwan-Commate-Computer-Inc/547993955271899
Twitter	https://twitter.com/Taiwan_Commate

Commell is a brand name of Taiwan Commate Computer Inc.