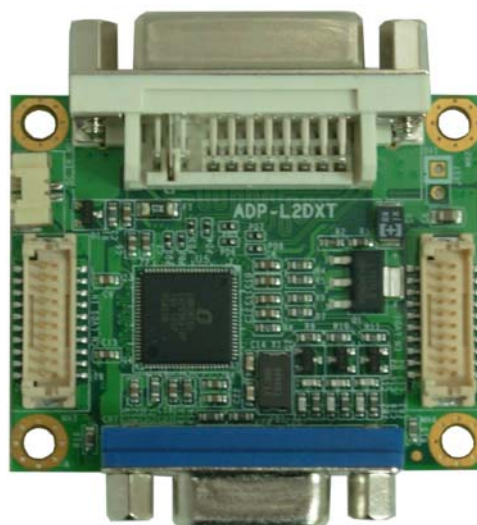


ADP-L2DXT

User's Manual

Edition 1.3

2015/05/01



Copyright

Copyright 2011 all rights reserved. This document is copyrighted and all rights are reserved. The information in this document is subject to change without prior notice to make improvements to the products.

This document contains proprietary information and protected by copyright. No part of this document may be reproduced, copied, or translated in any form or any means without prior written permission of the manufacturer.

All trademarks and/or registered trademarks contains in this document are property of their respective owners.

Disclaimer

The company shall not be liable for any incidental or consequential damages resulting from the performance or use of this product.

The company does not issue a warranty of any kind, express or implied, including without limitation implied warranties of merchantability or fitness for a particular purpose.

The company has the right to revise the manual or include changes in the specifications of the product described within it at any time without notice and without obligation to notify any person of such revision or changes.

Trademark

All trademarks are the property of their respective holders.

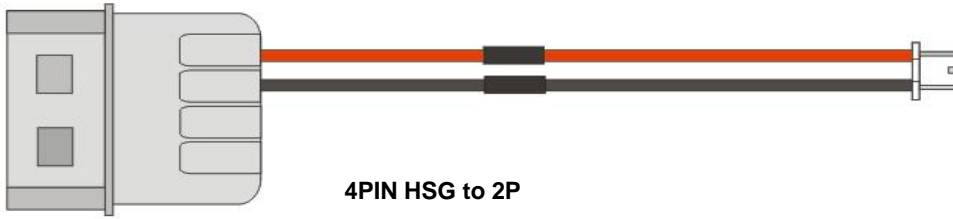
Any questions please visit our website at <http://www.commell.com.tw>.

Packing List:

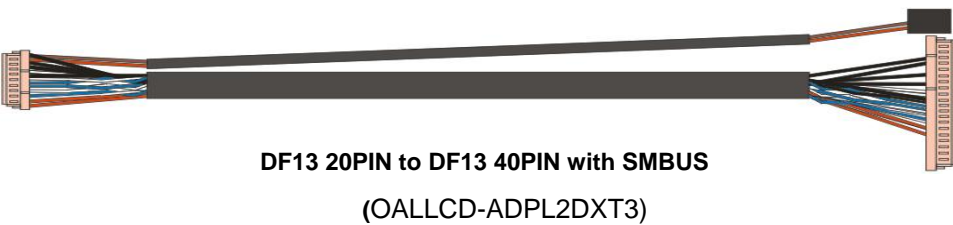
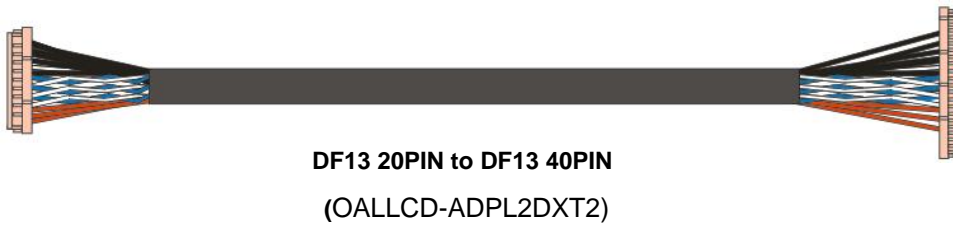
Hardware:

ADP-L2DXT adapter x1(ADP-L2DXT-D & ADP-L2DXT-T the same)

Cable kit:



Optional:



Bracket:

OPLATE-D(Only ADP-L2DXT & ADP-L2DXT-D)



OPLATE-DB9(Only ADP-L2DXT & ADP-L2DXT-T)



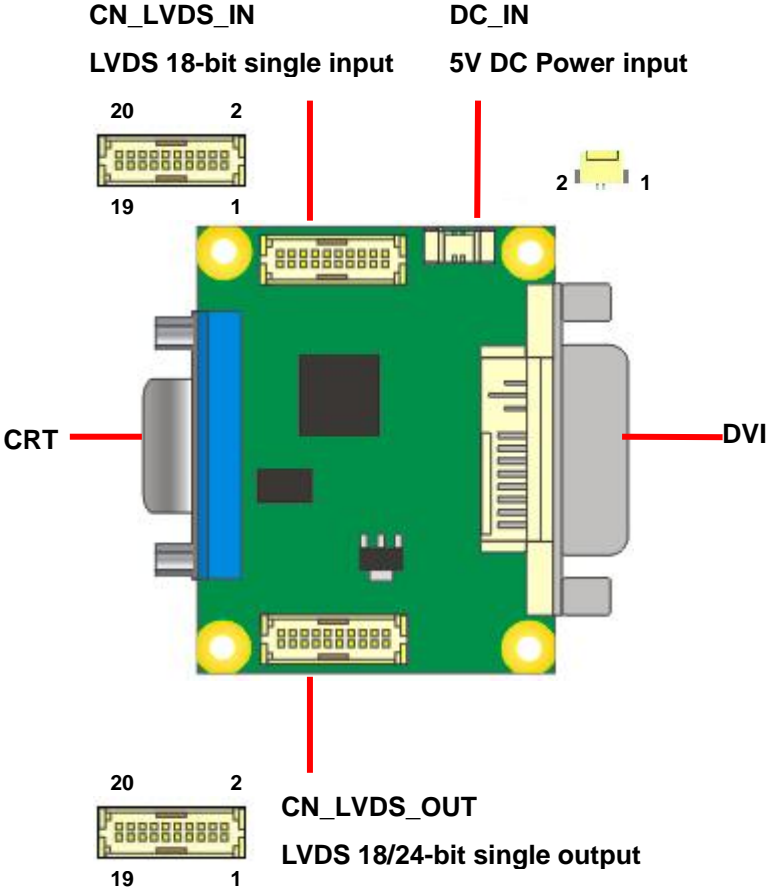
CD Content:

Driver & User's Manual

1.0 <Product Specification>

General Specification	
Controller	CHRONTEL CH7036
Features	18-bit LVDS to 18/24-bit LVDS 18-bit LVDS to DVI 18-bit LVDS to VGA 18-bit LVDS to 18/24-bit LVDS + DVI 18-bit LVDS to 18/24-bit LVDS + VGA
Power Requirement	+5V
Accessories	1 x DF13 20-pin Cable (For LVDS Input) 1 x DC input Cable (For power)
OS	WIN XP,WIN 7
Dimensions (W x D)	50mm x 40mm
Temperature	Operating within 0~60 centigrade
Ordering Code	
ADP-L2DXT	18-bit LVDS to 18/24-bit LVDS , DVI , VGA convert module
ADP-L2DXT-D	18-bit LVDS to 18/24-bit LVDS , DVI convert module
ADP-L2DXT-T	18-bit LVDS to 18/24-bit LVDS , VGA convert module

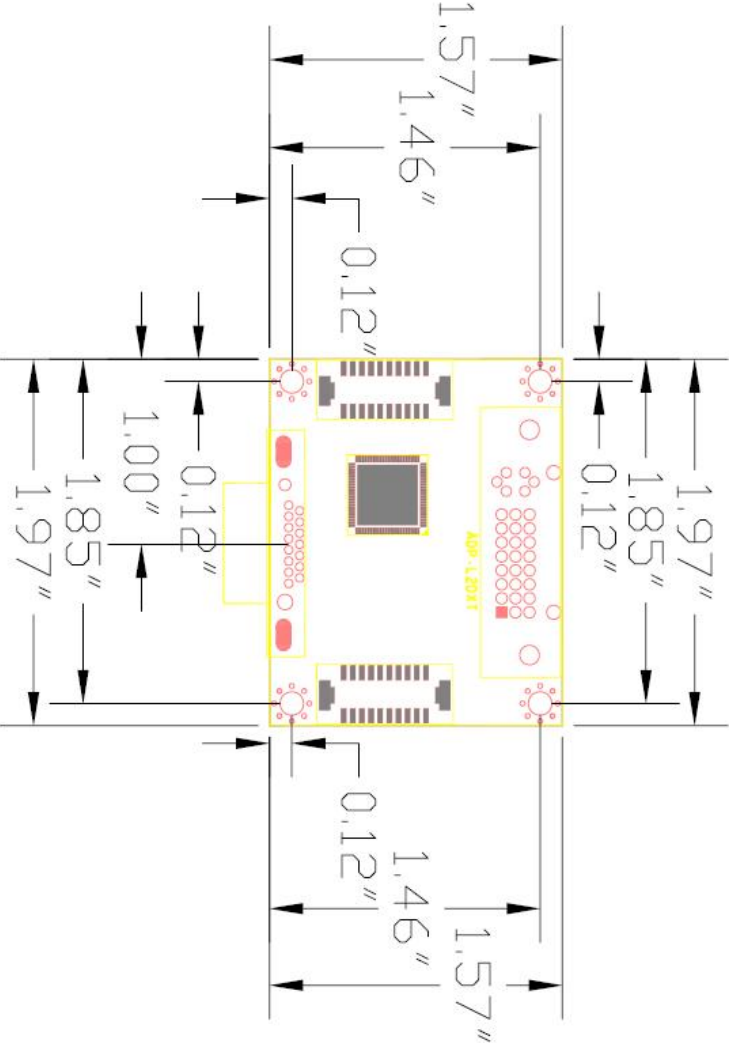
1.1 <Component Placement>



1.2 <Mechanical Drawing>

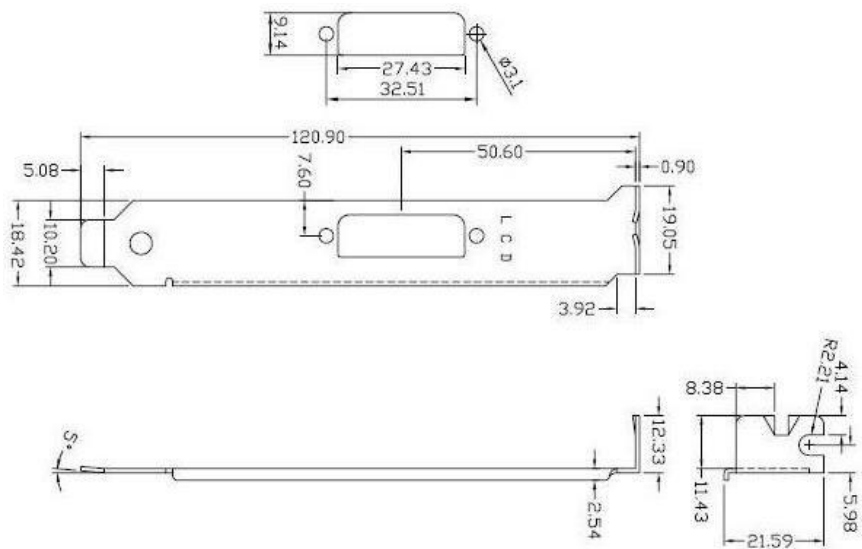
ADP-L2DXT

Unit: inch

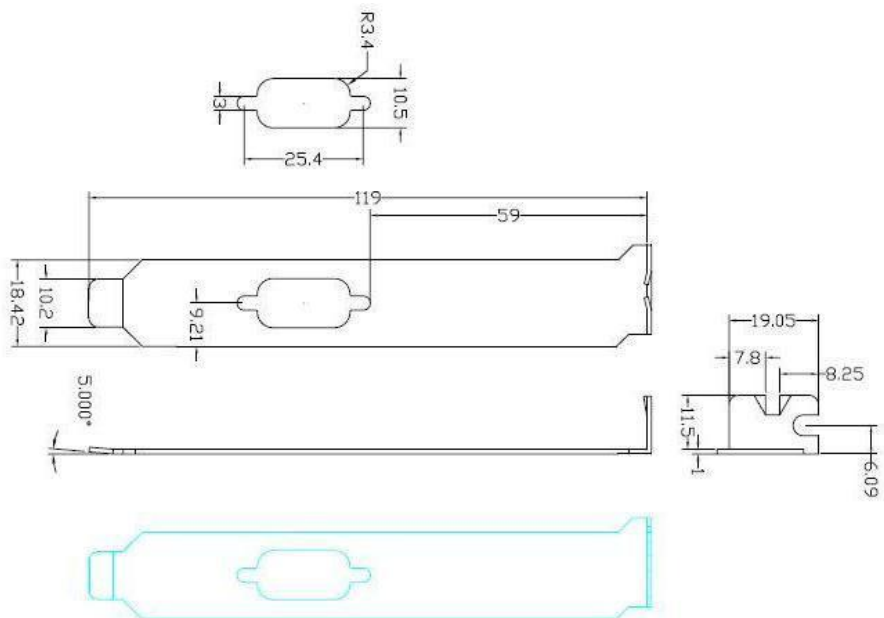


Bracket

OPLATE-D



OPLATE-DB9

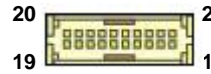


unit: mm

1.3 <Connector Reference>

Connector: CN_LVDS_IN

Type: HIROSE DF13-20S



Pin	Description	Pin	Description
1	LCDVCC	2	LCDVCC
3	GND	4	GND
5	RX0N	6	RX0P
7	GND	8	RX1N
9	RX1P	10	GND
11	RX2N	12	RX2P
13	GND	14	RXLCKN
15	RXLCKP	16	GND
17	SPC(SMBUSCLK)	18	SPD(SMBUSDATA)
19	GND	20	Will be defined

Connector: DC_IN

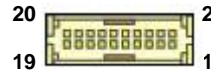
Type: DF14 2-pin pitch=1.25mm



Pin	Description	Pin	Description
1	GND	2	+5V

Connector: CN_LVDS_OUT

Type: HIROSE DF13-20S



Pin	Description	Pin	Description
1	LCDVCC	2	LCDVCC
3	GND	4	GND
5	TXL0N	6	TXL0P
7	GND	8	TXL1N
9	TXL1P	10	GND
11	TXL2N	12	TXL2P
13	GND	14	TXLCKN
15	TXLCKP	16	GND
17	TXL3N	18	TXL3P
19	GND	20	GND

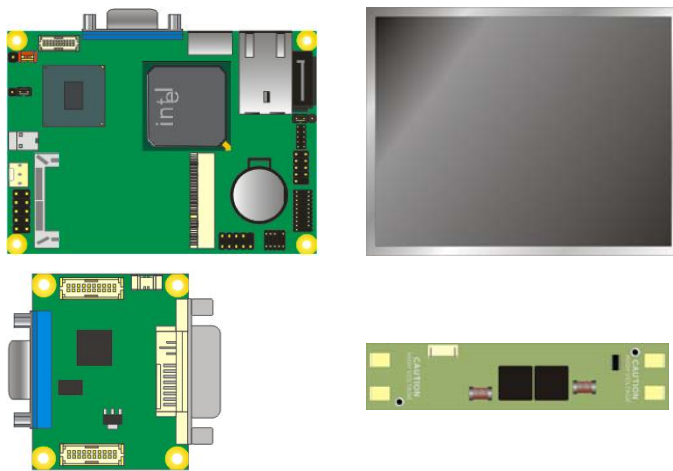
To setup the LCD, you need the component below:

1. A panel with LVDS interfaces.
2. An inverter for panel's backlight power.
3. A LCD cable and an inverter cable.
4. A motherboard

For the cables, please follow the pin assignment of the connector to make a cable, because every panel has its own pin assignment, so we do not provide a standard cable; please find a local cable manufacture to make cables.

LCD Installation Guide:

1. Preparing the motherboard (**LP-170**), **ADP-L2DXT**, **LCD panel** and the **backlight inverter**.

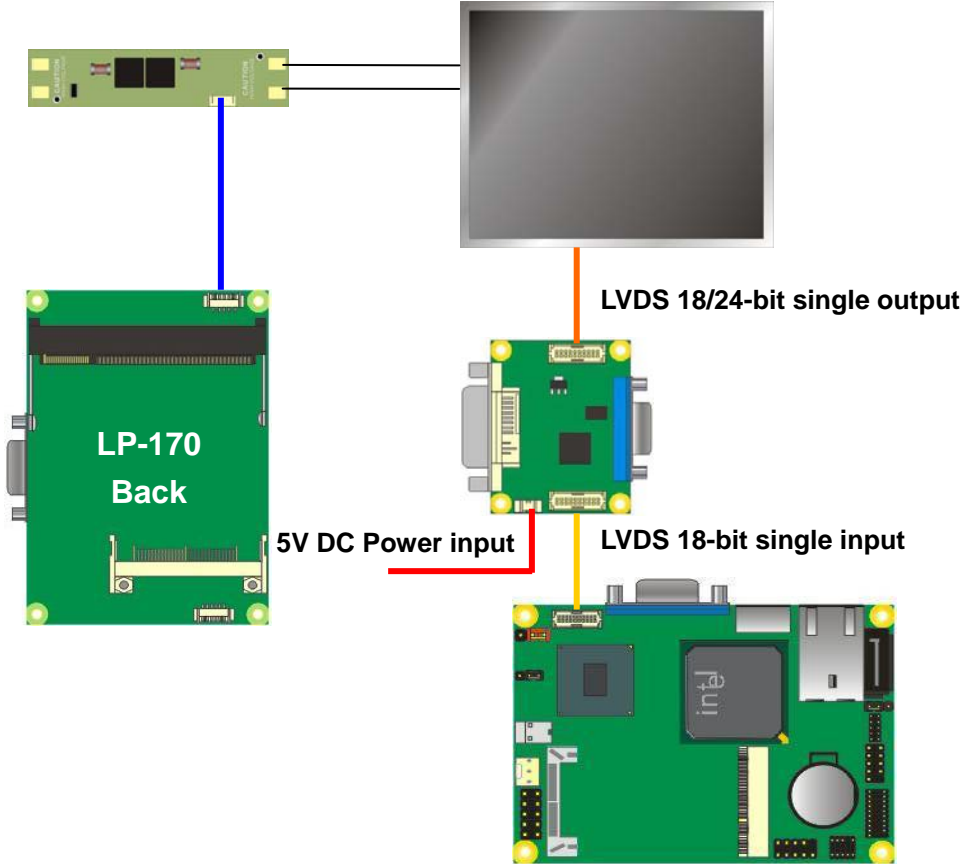


2. Please check the datasheet of the panel to see the voltage of the panel, and set the jumper **JVLCD(LP-170)** to +5V or +3.3V.

3. You would need LVDS type cables



4. To connect all of the devices well.



Contact Information

Any advice or comment about our products and service, or anything we can help you please don't hesitate to contact with us. We will do our best to support you for your products, projects and business.

Taiwan Commate Computer Inc.

Address	19F., No.94, Sec. 1, Xintai 5th Rd., Xizhi Dist., New Taipei City 22102, Taiwan
TEL	+886-2-26963909
FAX	+886-2-26963911
Website	http://www.commell.com.tw
E-Mail	info@commell.com.tw (General Information) tech@commell.com.tw (Technical Support)
Facebook	https://www.facebook.com/pages/Taiwan-Commate-Computer-Inc/547993955271899
Twitter	https://twitter.com/Taiwan_Commamate

Commell is the trademark of Taiwan Commate Computer INC.